



Outstanding Value & Versatility

POSEIDON Q100 Series



BenQ
Medical Technology

POSEIDON Q100

The Q100 Surgical Table Series

- Assure unsurpassed clinical versatility
- Utilize innovative imaging technology.
- Provide ease of use.
- Assure battery DC power (optional).
- 2-section leg plate design.

Clinical Versatility

- 4- section tabletop easily contours to all patient positioning.
- Leg section can be removed quickly for an easier perineal access.
- With upper leg section offers more possibilities.
- Slim base and column design provide an ideal access for surgical team and C-arm.
- Radiolucent, manual operation built-in kidney bridge (optional) enhances the convenience of lateral operating procedures.
- Level function can return the patient automatically to level.
- 4 swivel castors system provides smooth moves and enables easy floor cleaning.



Dual controller

For safety purpose, we provided the corded hand control and the override panel.



Flexible longitudinal sliding

Poseidon Q100 Series enhances the imaging area up to the maximum 350mm.

Tabletop Longitudinal Sliding facilitates full-body fluoroscopic imaging

Full Body Imaging is provided without moving the patient or pre-configuring the table before the transfer.

- from the center of the tabletop to the head end 235mm
- from the center of the tabletop to the foot end 115mm

Reliability and Durability Correct Patient Positioning

The Q100 surgical tables fit every surgical applications, especially in endourology, cystoscopy, urologyscope, OB and GYN.



Poseidon Q100 Series Surgical Table not only meets all requirements for virtual surgical procedures but also has the best combination of the most important features you can ask for a surgical table.



General / Laparoscopy / Thoracic Surgery
-Arm Board x 2



Rectal Surgery
-Arm Board x 2
-Rectal Positioning Support x 1
-Knee Rest *** x 1



E.N.T. Surgery



Cystoscopy / Lithotomy Surgery
-Arm Board x 2
-Lithotomy Holder * x 2



Gall Bladder / Kidney Surgery
-Arm Board x 1
-Raised Arm Rest* x 1
-Head, Shoulder & Arm Rest for Lateral Positioning x 1



OB/GYN Surgery
-Arm Board x 2
-Leg Crutch * x 2
-Urology Drain Tray x 1
-Contamination Bucket x 1



Cardiovascular



Spinal surgery

- Arm Board x 2
- Lordosis Operating Frame x 1



Shoulder Chair

- Raised Arm Rest * x 2
- Shoulder Surgery Attachment x 1



Spinal Surgery

- Arm Board x 2
- Prone Positioner x 1



Total Hip / Femur Interlocked Nail

- Arm Board x 1
- Raised Arm Rest* x 1
- Knee Rest *** x 1
- Head, Shoulder & Arm Rest for Lateral Positioning x 1

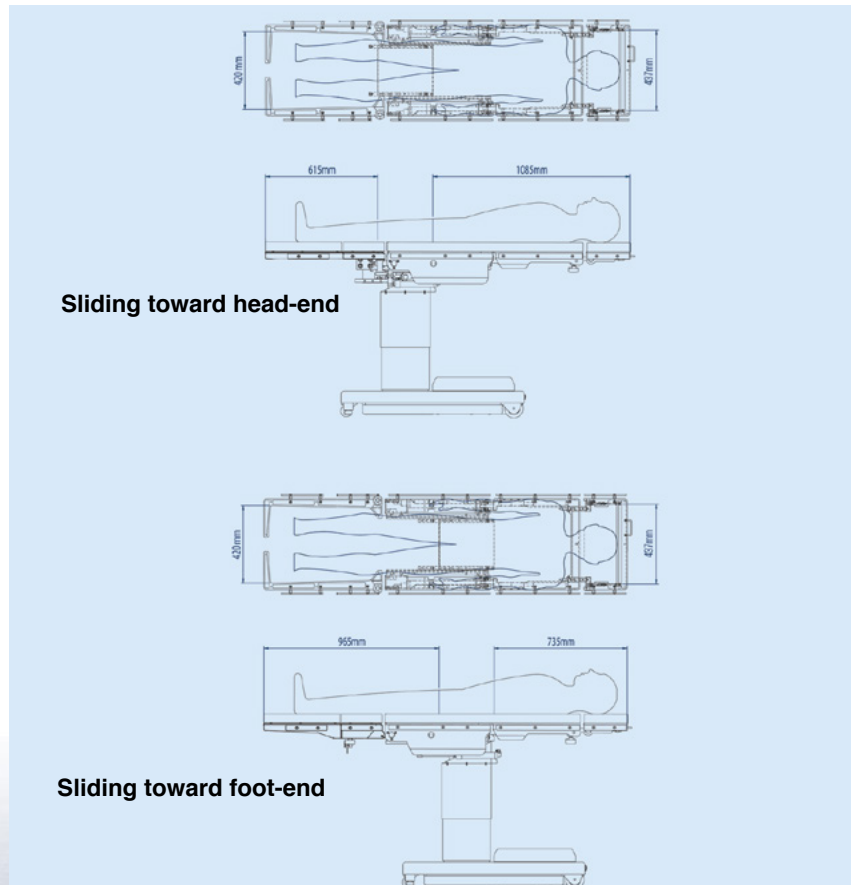
* A side-rail clamp is required to fixate the accessories and they are sold separately.

** A side-rail lock is required to fixate the accessories and they are sold separately.

***Two side-rail lock are required to fixate the accessories and they are sold separately.

Centered Radiographic Coverage

Imaging length: 9.2" (235 mm) to head;
45" (115 mm) to foot



Upper Body

- Pacemaker insertions
- Hickman catheters
- Broviac insertions
- Shunts
- IVC filters
- Lung biopsies
- Cholangiography
- Thoracic and Kidney
- Gall bladder
- Total hip revision
- Ophthalmic
- Neurosurgery
- Spinal
- Implantable defibrillation
- Endoscopy

Lithotomy

- Cystoscopy
- Endourology
- Gynecology and abdominal
- Nissen Fundoplication

Lower Body

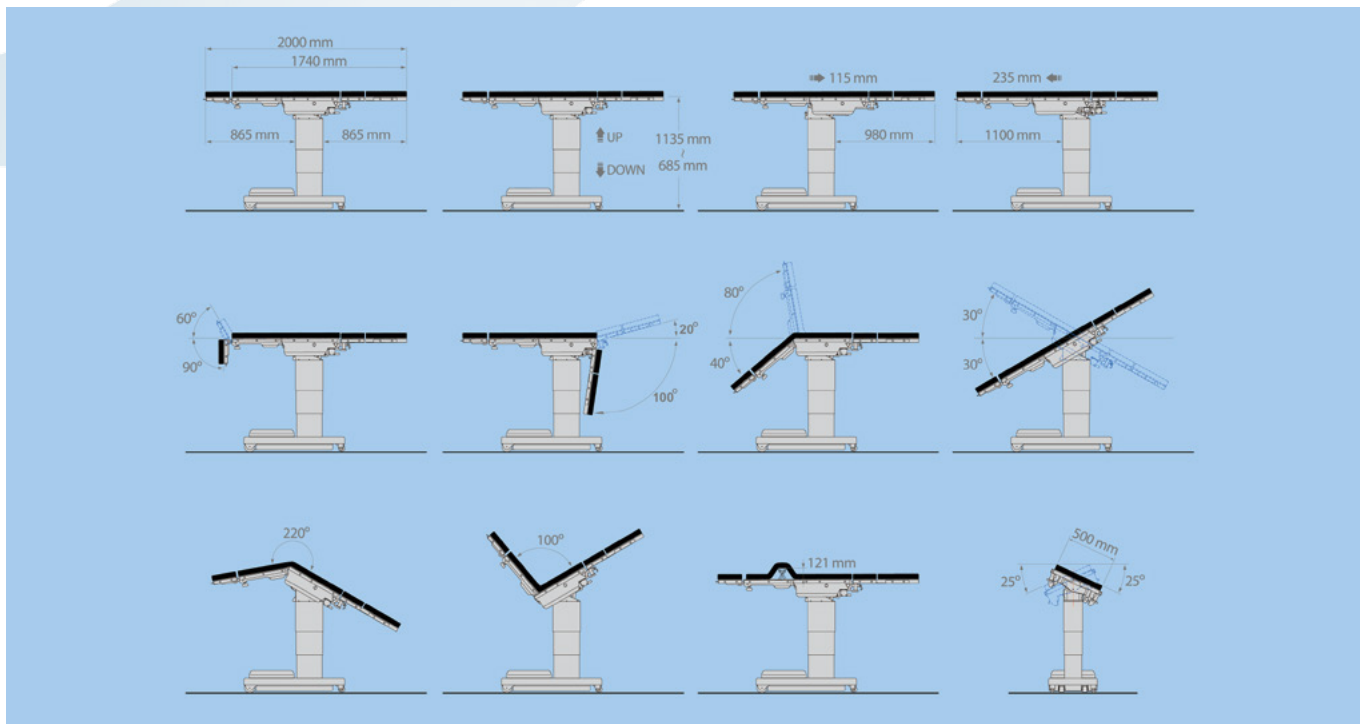
- Lower body arterial imaging
- Lower limb, non orthopedic extensions.
- Femoral / popliteal bypass
- Laser angioplasty

Technical Specifications

MODEL	Q100	Q100B	Q100K	Q100KB
Tabletop Length (w/o Extendable head Rest)		2,000 mm		
Tabletop Width (w/o Side Rails)		500 mm		
Tabletop Height (Up/Down, w/o Pad)		685 ~ 1135 mm		
Head Rest (Up/Down)		60° / 90°		
Back Plate (Up/Down)		80° / 40°		
Leg Plates (Up/Down) & Horizontal Positioning		20° / 100°		
Trendelenburg/Reverse Trendelenburg		30° / 30°		
Lateral Tilt (Left/Right)		20° / 20°		
Flex/Reflex		220° / 100°		
Table Top Longitudinal Sliding		350 mm		
Kidney Bridge Elevation	NA		121mm	
Max. Patient Weight		272Kg		

1. Specification and functions are subject to change without prior notice.
2. The tables shown are with optional accessories.
3. NA: not available.





ACCESSORIES

Standard Accessories

- Pad, 1 set, with non-electrical conductive fabrics for Q100 / 7000 series
- Arm Board, 2 pieces, with integral quick disconnect side rail clamp design to facilitate installation and removal.

Optional Accessories for Arm Support

- Raised Arm Rest*
- Microscopic Operating Frame for Hand
- Head, Shoulder & Arm Rest for Lateral Positioning
- Wristlet

Optional Accessories for Body Support

- Lateral Support**
- Shoulder Support**
- Pad-Adjustable Dorsal Operation Frame
- Rectal Positioning Support

Optional Accessories for Leg Supports and Urology

- Leg Crutches*
- Lithotomy Holder*
- Right Foot Rest**
- Left Foot Rest**
- Knee Rest***
- Contamination Bucket

Optional Accessories for General Accessories

- Anti-static Pad for Q100 / 7000 series
- Anesthesia Screen Frame**

- Anesthesia Screen Frame (Adjustable)**
- Side Rail Clamp
- Side Rail Lock
- Accessory Cart
- Instrument Tray*
- Patient Transfer Device
- Restraint Strap
- Hand Control Bracket
- Head Rest with Wrist Support
- Shoulder Surgery Attachment
- General Purpose U-Type Rest
- Special Clamp
- Neuro Adaptor, for Mayfield head Rest

* A side-rail clamp is required to fixate the accessories and they are sold separately.

** A side-rail lock is required to fixate the accessories and they are sold separately.

***Two side-rail lock are required to fixate the accessories and they are sold separately.



BenQ Medical Technology Corp.

Headquarter

7FL 46 Zhou-z St., Neihu Dist.,
Taipei 11493, Taiwan

Factory

3F, No. 159, Shan-Ying Road, Gueishan Hsiang,
Taoyuan County 333, Taiwan, R.O.C.

No.7.7-1, Kung 5th Rd., Kung 2nd Industrial Zone,
Linkou Dist., New Taipei City 244, Taiwan, R.O.C.

Tel +886-2-8797-5533

Fax +886-2-8797-5188

www.BenQMedicalTech.com

info@BenQMedicalTech.com



BenQ
Medical Technology